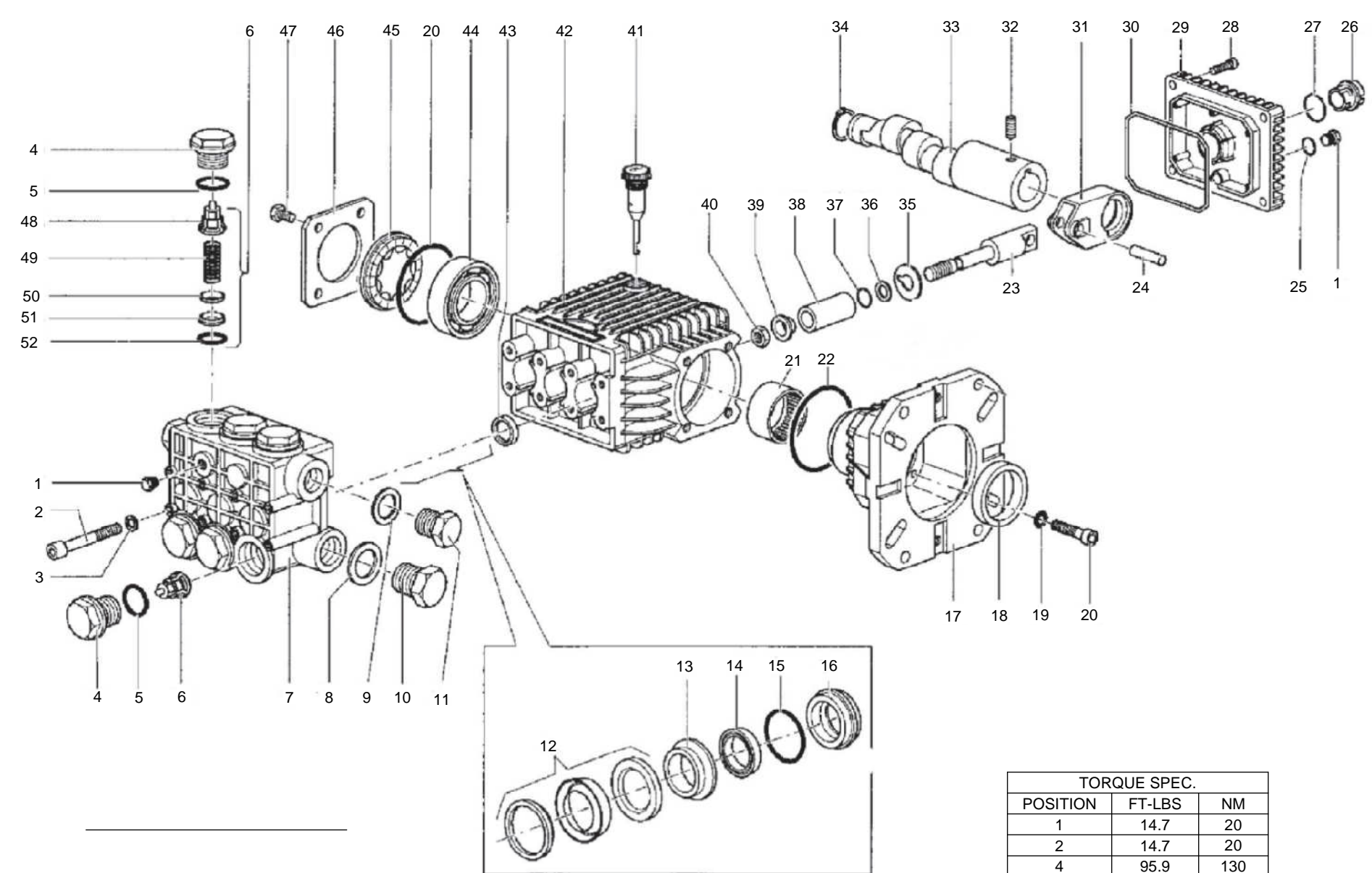


| ITEM | DESCRIPTION | PART # | # | P/L | QTY |
|------|---|---------|---|---------|-----|
| 1 | PLUG/HEX | 39-0017 | | | 2 |
| 2 | HSHCS - M8 - 1.25P X 65MM | 27-9576 | | | 8 |
| 3 | LOCKWASHER M8 | 29-1014 | | | 8 |
| 4 | VALVE PLUG (SEE KIT 70-0668) | 39-0071 | | SEE KIT | 6 |
| 5 | O-RING 20.69 X 2.62MM (SEE KIT 70-0668) | 25-0012 | | SEE KIT | 6 |
| 6 | VALVE ASSEMBLY (SEE KIT 70-0028) | N/A | | SEE KIT | 6 |
| 7 | MANIFOLD - 15mm | N/A | | | |
| 8 | WASHER-ALUM M27 X M21 X 1.5MM | 28-1038 | | | 1 |
| 9 | WASHER M22 X M17.2 X 1.5MM | 28-1002 | | | 1 |
| 10 | PLUG/HEX | 39-0019 | | | 1 |
| 11 | PLUG/HEX | 39-0018 | | | 1 |
| 12 | PACKING ASSY - 15mm (SEE KIT 70-0669 OR 70-0415) | N/A | | SEE KIT | 3 |
| 13 | INTERNAL RING - 15mm (SEE KIT 70-0415) | N/A | | SEE KIT | 3 |
| 14 | LOW PRESSURE SEAL - 15mm (SEE KIT 70-0669 OR 70-0415) | N/A | | SEE KIT | 3 |
| 15 | O-RING (SEE KIT 70-0415) | N/A | | SEE KIT | 3 |
| 16 | SEAL RETAINER - 15mm (SEE KIT 70-0415) | N/A | | SEE KIT | 3 |
| 17 | FLANGE - GAS | 38-0038 | | | 1 |
| 18 | SEAL/OIL | 26-0181 | | | 1 |
| 19 | WASHER | 28-0200 | | | 4 |
| 20 | HSHCS - M6-1.0P X 30MM | 27-8404 | | | 2 |
| 21 | NEEDLE BEARING/HK 4520 | 48-0040 | | | 1 |
| 22 | O-RING 55.56 X 3.53MM | 25-0060 | | | 1 |
| 23 | PLUNGER GUIDE | 46-1165 | | | 3 |
| 24 | PIN 9 X 27.5 | 46-1162 | | | 3 |
| 25 | O-RING .426 X .07 | 25-0210 | | | 1 |
| 26 | SIGHT GLASS | 46-1163 | | | 1 |
| 27 | O-RING 1-1/16 X 1-5/16 | 25-0059 | | | 1 |
| 28 | HSHCS - M6-1.0P X 14MM | 27-8401 | | | 4 |
| 29 | COVER CRANKCASE | 46-1164 | | | 1 |
| 30 | O-RING 101.27 X 2.62MM | 25-0317 | | | 1 |
| 31 | CONNECTING ROD - WHITE BRONZE | 46-1160 | | | 3 |
| 32 | SCREW - M6 X 6mm | 27-8886 | | | 1 |
| 33 | CRANKSHAFT - 8MM | 46-1161 | | | 1 |
| 34 | RING - SNAP | 46-0104 | | | 1 |
| 35 | SLINGER WASHER - 9 X 25 X .5 | 28-1049 | | | 3 |
| 36 | RING ANTI-EXTRUSION | 25-0143 | | | 3 |
| 37 | O-RING | N/A | | | 3 |
| 38 | PISTON | 46-0228 | | | 3 |
| 39 | WASHER GASKET | 46-1231 | | | 3 |
| 40 | NUT | 46-0168 | | | 3 |
| 41 | DIPSTICK | 46-0143 | | | 1 |
| 42 | CRANKCASE | 46-1166 | | | 1 |
| 43 | OIL SEAL (SEE KIT 70-0414) | N/A | | SEE KIT | 3 |
| 44 | BEAR BALL .6305 25 X 62 X 17 | 48-0011 | | | 1 |
| 45 | OIL LEVEL INDICATOR/SPACER | 46-0574 | | | 1 |
| 46 | RETAINER/OIL LEVEL/SPACER | 46-0084 | | | 2 |
| 47 | HSHCS M6-1.0P X 10MM | 27-8000 | | | 8 |
| 48 | VALVE CAGE | N/A | | | 6 |
| 49 | SPRING | N/A | | | 6 |
| 50 | VALVE PLATE | N/A | | | 6 |
| 51 | VALVE SEAT | N/A | | | 6 |
| 52 | O-RING 11/16 X 7/8 | 25-0053 | | | 6 |

| PUMP ASSEMBLY | | BORE | STROKE | SHAFT | RPM | MAX | MAX | OIL | | | SHAFT DIA I.D. |
|---------------|---|------|--------|--------|-------|-----------|-------------|--------|-------------|---------|----------------|
| PART# | # | | | MARKED | RATED | GPM/LPM | PSI/BAR | oz/mL | INLET | OUTLET | in/mm |
| 3-0431 | | 15mm | 8.0mm | 4C | 3400 | 3.0/11.36 | 3000/206.84 | 14/414 | 1/2-14 BSPP | 3/8"NPT | 1.0/25.4 |



| POSITION | FT-LBS | NM |
|----------|--------|-----|
| 1 | 14.7 | 20 |
| 2 | 14.7 | 20 |
| 4 | 95.9 | 130 |
| 10 | 29.4 | 40 |
| 11 | 29.4 | 40 |
| 20 | 7.3 | 10 |
| 30 | 7.3 | 10 |
| 42 | 11.0 | 15 |
| 49 | 7.3 | 10 |

For Parts Call 888-279-9274

| REPLACEMENT KITS | | | | | |
|------------------|---|----------------------------|----------------|-----------------|----------------|
| KIT # | # | DESCRIPTION | ITEMS | # OF ASSEMBLIES | # OF CYLINDERS |
| 70-0028 | | KIT - VALVE | 6 | 6 | 3 |
| 70-0668 | | KIT - VALVE PLUG | 4,5 | 6 | 3 |
| 70-0414 | | KIT - OIL SEAL | 43 | 3 | 3 |
| 70-0669 | | KIT - PACKING SEALS | 12,14 | 3 | 3 |
| 70-0415 | | KIT - PACKING W/BRASS 15mm | 12,13,14,15,16 | 1 | 1 |

Mi-T-M Corporation

3-0431 Pump Parts

DRAWING/PART NO: 3-0431

SCALE: NTS DATE: 1/25/16 DRAWING SIZE: B APPD: DRAWN BY: JJR